

ABOUT US

In 1975, we established a factory, Detchai Rubber Co.,Ltd., to produce rice rubber rollers with the brand name "SPORTMAN".

We design our own compound, process, and production line. Thus, SPORTMAN has high qualities with long life use. In 2010, Detchai Rubber factory was certified in



UKAS ISO

9001:2008 by SGS. Our rice rubber rollers have been the first and only one which has ISO quality management system in Thailand.

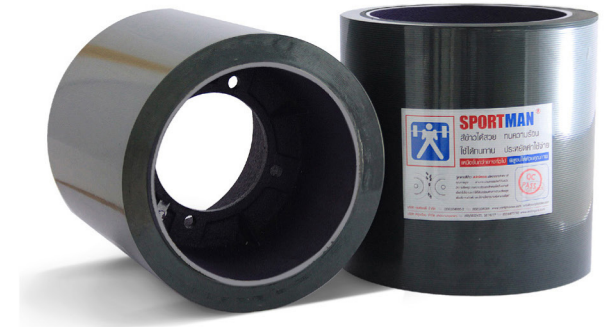


To make sure every batch meets our standard, we start with the rubber testing lab such as tensile testing, rheometer testing, and abrasion testing. We also apply 5S philosophy to our employees. It encourages them to work efficiently and happily. Every SPORTMAN has test run sampling with paddy dehusker machine for each lot. It is one of our quality assurance procedures. With our decades of experiences, our vision is to be a part of rice mill development. We are going to keep doing our best to make good qualities of rice rubber rollers.

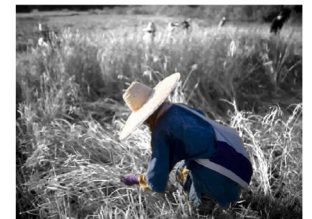


www.rollerforrice.com

www.rollerforrice.com



THE BEST
RICE
RUBBER
ROLLER
IN THAILAND
SINCE 1975



 **DETHAI RUBBER CO.,LTD.**

200 MOO 3 PHAHOLYOTHIN RD. NONGKROD,
MUANG, NAKHONSAWAN, THAILAND 60000
tel +66 56 334006 fax +66 56 334007
email : uthen107@hotmail.com, athitj@gmail.com

 **SPORTMAN**
PREMIUM RICE RUBBER ROLLER
DETHAI RUBBER CO.,LTD.



"THE FINEST DESIGNED COMPOUND FROM Thailand to Asia"

Sportman's compound has been developing from decades of experiences. Other than compound standard from chemical books, we learn a lot from customers. Since Thailand has a high competitive

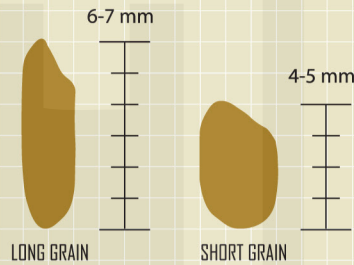
rice market, rice mills need the best technology for their production. It inspires us to make the best rice rubber roller. Therefore, we found our own signature of compound and process to make the premium rice rubber roller. We use premium grade NBR from european suppliers. Rice rubber rollers need to run 20 hours a day non-stop. Under such conditions which approximates roughly to car tyres being driven at 40 km per hour for

20 hours non-stop, NBR is qualified. Moreover, we use additives to make rubber more heat resistant. That makes the rubber has good long service life.



2 MAIN GRAIN SIZES

Thai rice grain is long ,especially Jasmine rice. Another size of grain is shortsuch as Japanese rice. Sportman can dehusk both sizes of paddies. Normally, dehusking short paddies has more yield percentage because short paddies are fatter and rounder. They are easier to be dehusked.



Properties of NBR vs SBR

	NBR	SBR	
tensile strenght	5	5	strong
elasticity	5	5	6
tear strenght	3	3	
abrasion	5	4	
heat resistance	4	3	
oil resistance	6	2	weak

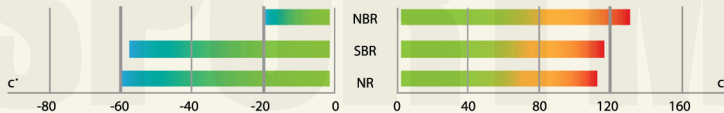
NBR : Nitrile Rubber

NBR have good resistance mineral oils, vegetable oils, benzene/petrol, ordinary diluted acids and alkalines. It also can be used in high heat temperature until 120 Celcius. With these reasons, NBR is widely used in variety of industry fields such as the healthcare industry for non-latex gloves, and the automotive parts for O rings. In the chamber of paddy dehusker machine, it possibly can reach 90 Celcius during dehusking. Thus, NBR is highly recommended main material for rice rubber roller.

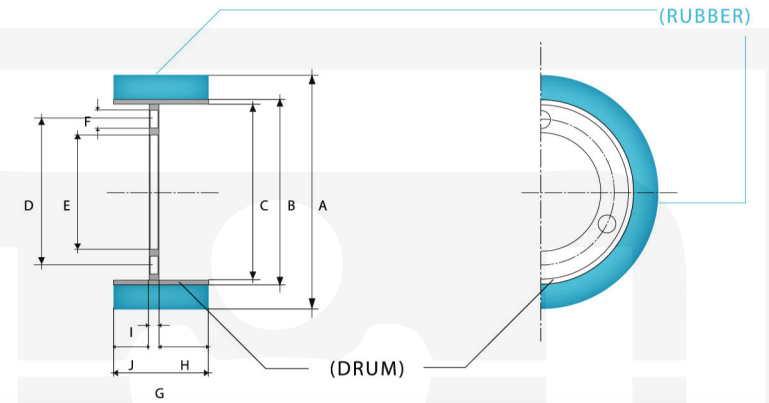
SBR : Styrenebutadien rubber

SBR also has many properties as same as NBR. The outstanding property of SBR is having good abrasion resistance and good aging stability when protected by additives. SBR is a more general purpose rubber than NBR. For the rice rubber roller, SBR also can be used but does not have heat resistance as good as NBR. Some small to medium rice mills may choose SBR rice rubber rollers because the price of SBR normally is lower than NBR.

Working Temperature - min. & max.



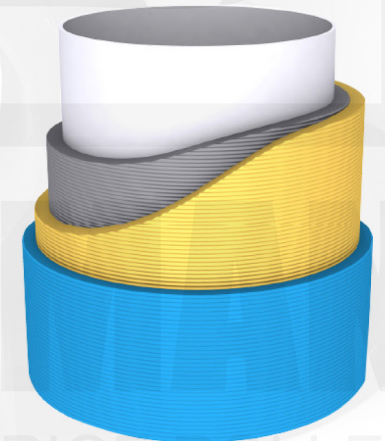
*NR - Natural Rubber which is not for making rice rubber roller



SPECIFICATIONS

SR.NO	SIZE 4"X 8 3/4"	SIZE 6"X 8 3/4"	SIZE 6"X 9"	SIZE 8"X 8 3/4"	SIZE 8"X 9"	SIZE 9"X 10"	SIZE 10"X 10"
	(mm)	(mm)	(mm)	(mm)	(mm)	(mm)	(mm)
A	222.0 ± 1	222.0 ± 1	222.0 ± 1	222.0 ± 1	227.0 ± 1	227.0 ± 1	254.0 ± 1
B	185.5 ± 0.5	183.5 ± 0.5	183.5 ± 1	185.5 ± 0.5	188.0 ± 0.5	186.0 ± 0.5	205 ± 1
C	175.5 ± 0.5	174.0 ± 0.5	171.0 ± 1	175.5 ± 0.5	178.0 ± 0.5	175.0 ± 0.5	195 ± 1
D	139.7 ± 0.5	139.7 ± 0.5	135.0 ± 0.5	140.0 ± 0.5	128 ± 0.5	116.0 ± 0.5	142.0 ± 0.5
E	114.3 ± 0.1	114.3 ± 0.1	114.3 ± 0.3	115.0 ± 0.1	105.0 ± 0.1	95.0 ± 0.1	116.0 ± 0.3
F	13.0x3 Hole	13.0x3 Hole	13.0x3 Hole	13.0x3 Hole	15.0x4 Hole	15.0x4 Hole	13.0x3,4 Hole
G	101.6 ± 0.5	152.4 ± 0.5	152.4 ± 0.5	203.0 ± 0.5	204.0 ± 0.5	254.0 ± 0.5	254.0 ± 0.5
H	43.3 ± 0.5	71.2 ± 0.5	71.2 ± 0.5	78.0 ± 0.5	82.0 ± 0.5	121.0 ± 0.5	122.0 ± 0.5
I	5.0 ± 0.3	5.0 ± 0.3	6.0 ± 0.3	5.0 ± 0.3	8.0 ± 0.3	7.0 ± 0.3	5.0 ± 0.3
J	53.3 ± 0.3	76.2 ± 0.3	76.2 ± 0.3	120.0 ± 0.3	114.0 ± 0.3	126.0 ± 0.3	127.0 ± 0.3

Material: NBR synthetic Rubber
 Hardness: 90+5 , 87± 5 IRHD Shore A
 Color: Deep Blue, Yellow
 Drum: Cast Iron, Aluminum



"ALL LAYERS are made with finest selected materials."